

SUPPLEMENT TO CATALOGUE

NUMBER 5



KENDRICK & DAVIS

LEBANON, NEW HAMPSHIRE

SUPPLEMENT TO CATALOGUE NO. 5.



TRADE MARK

KENDRICK & DAVIS,

LEBANON, N. H.

NOTICE.

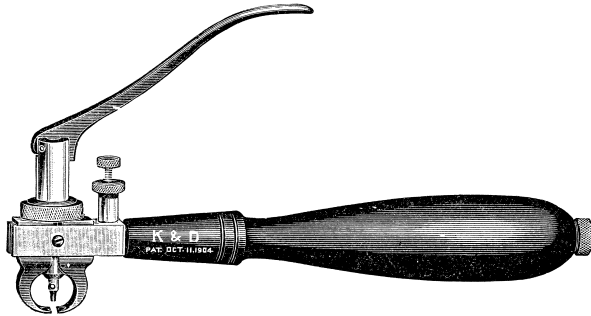
HAVING discontinued the manufacture of several staking tools illustrated in our No. 5 catalogue, for the convenience of the trade we show the different styles and kinds we now make in back of this booklet. You will also find shown here other new and desirable tools.

KENDRICK & DAVIS,

LEBANON, N. H.



TRADE
MARK

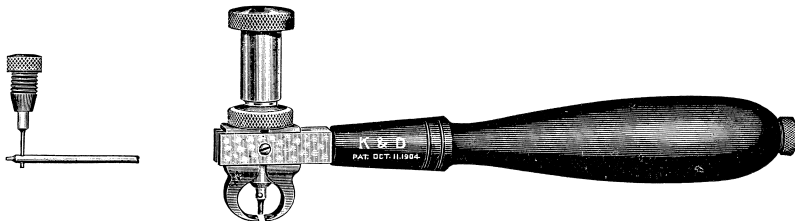


Improved Roller and Hand Remover No. 150L. Price \$2.50.

This tool is constructed in every way the same as our No. 150, except it has lever instead of screw action.



TRADE
MARK

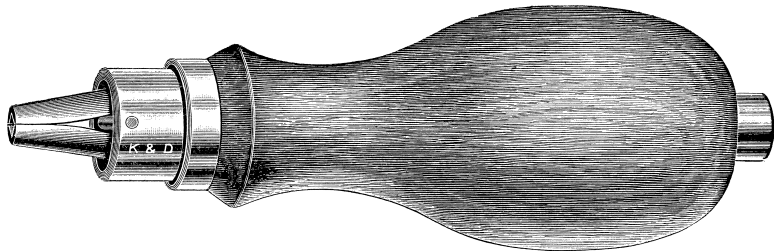


Improved Roller and Hand Remover No. 150. Price \$2.50.

This tool is accurately made and finely finished. Jaws open and close parallel by turning knurled disc either way and will remove any roller, double or single. It has four plungers for staffs and watch hands, takes but an instant to change from one to the other as they are fitted with taper on back end, and are removed and replaced by tool as shown in cut.

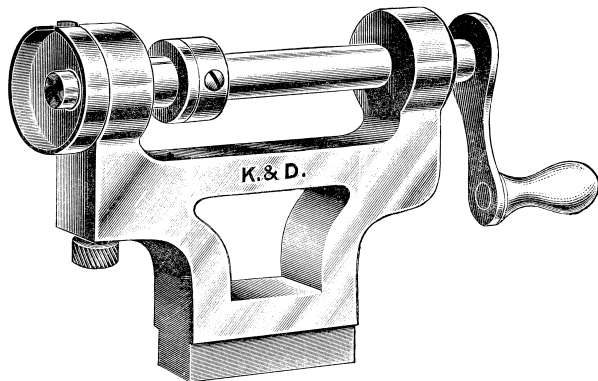


TRADE
MARK



New Key No. 170. Price 75 cents.

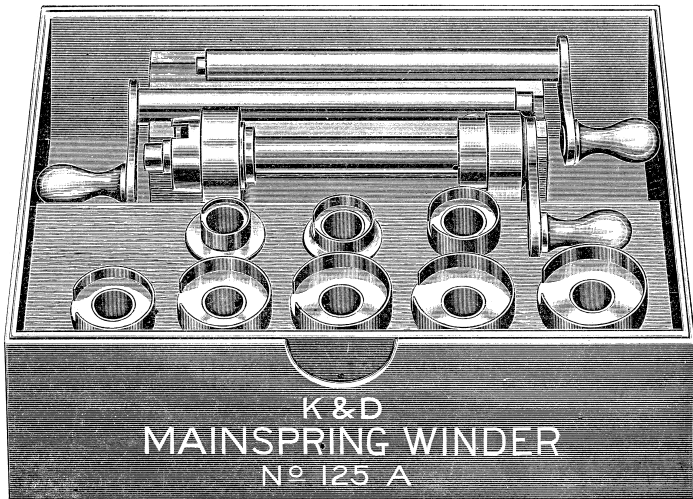
With adjustable jaws, to fit any sized arbor for winding and letting down Clock Springs.



New Mainspring Winder Frame, Nos. 125 and 125A.



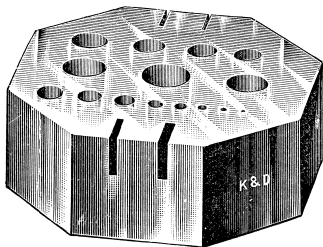
TRADE
MARK



No. 125A.	Three Arbors.	Nine Barrels.	Price \$2.65.
No. 125.	One Arbor.	Six Barrels.	Price \$1.50.

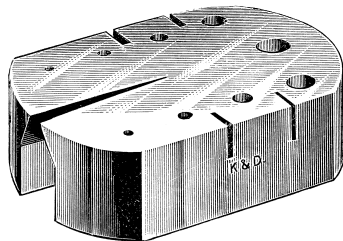


TRADE
MARK



No. 85A. Price \$1.25.

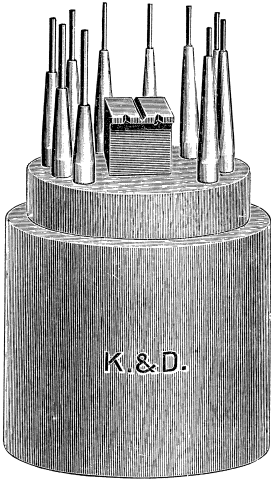
The V in this Staking Block will be found useful for driving out of the wheels, escape and other pinions of American Watches, for pivoting. Milled slots in blocks are for driving out joint pins of Watch Cases or Broches.



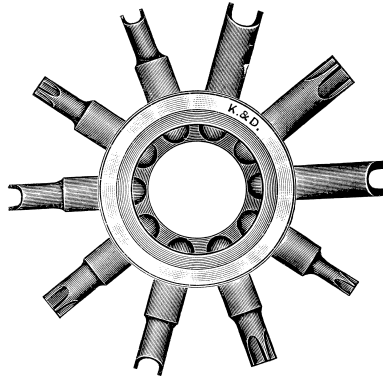
No. 86A. Price \$1.25.



TRADE
MARK



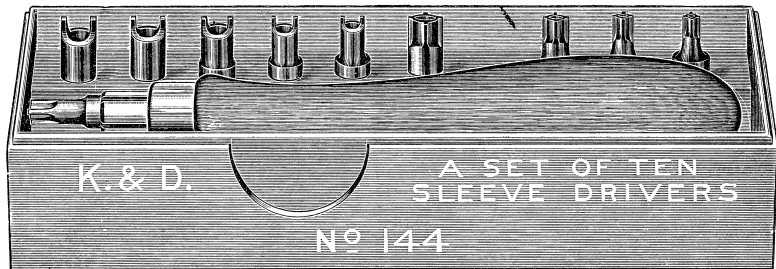
Rivet Punch Set. No. 311. Price \$1.50.



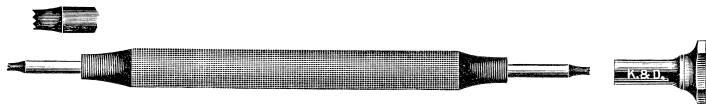
Ten Prong Sleeve Wrench. No. 145.
Price 75 Cents.



TRADE
MARK



Price 75 Cents.



Counterbores For Jewel Screws.

No. 21A. Reversible Head. Price 50 Cents.



POCKET SCREW DRIVERS.



No. 414. Rubber Handle and Nickel Cap. Price 35 Cents.



No. 414. Closed.



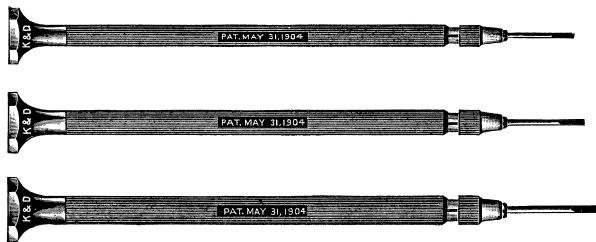
No. 415. All Rubber Handle. Double End. Reversible Blade.
Price 50 Cents.



No. 415. Closed.



TRADE
MARK



For Jewel Screws. No. 249. Hexagon Heads. Reversible Blades.
Set of Three in Box. Price 60 Cents.
Extra Blades 5 Cents each.



Reversible Blades. For No. 249, 288 and 289 Screw Drivers.

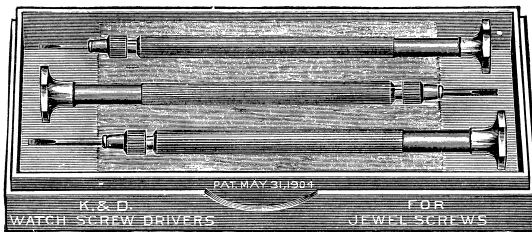
These blades are hardened and tempered by special process,
ground cross-wise and for shape and toughness, the best made.

Counterbores. No. 308A.

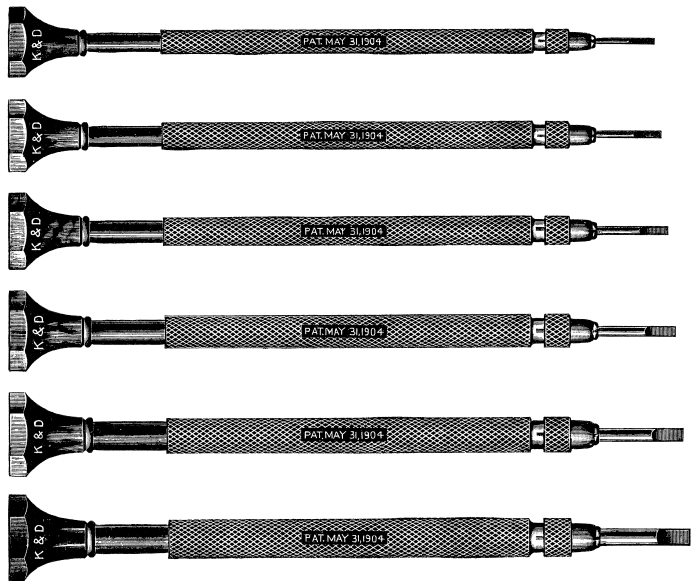
Jewel Screw Sizes.
Set of Four. Price 50 Cents.



TRADE
MARK



No. 249. Nickel Plated. Hexagon Heads. Interchangeable Blades.
Set of Three. Price 60 Cents.

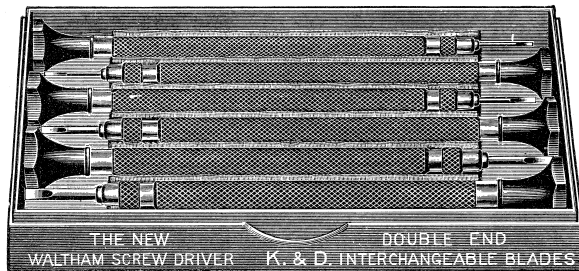


Cuts full size of No. 288 and 289 screw drivers, and same
as shown boxed on opposite page.

No. 288. Aluminum Handles. Set of Six. Price \$1.50. No. 289. Gun Metal Handles. Set of Six. Price \$1.50.



TRADE
MARK



Patented May 31, 1904.

No. 288. Aluminum Handles. Set of Six. Price \$1.50.

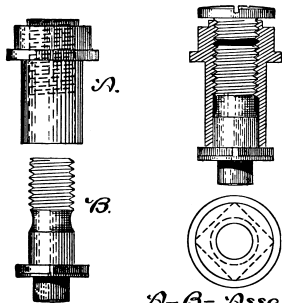
No. 289. Gun Metal Handles. Set of Six. Price \$1.50.

These Screw Drivers have three sizes of heads, and each head is a different color.

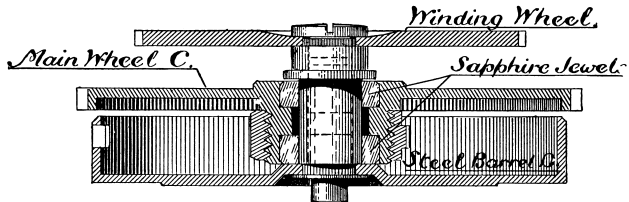
Blades are of superior quality and fastened by a friction sleeve.



TRADE
MARK



A-B-Assembled.



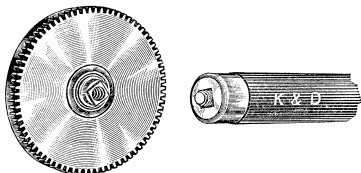
Main Wheel and Barrel Assembled.

MAIN WHEEL, A-W-W-Co.

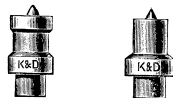
TRADE
MARK

- No. 74. 16 Size. Key or Holder for Waltham Jeweled Main Wheel Arbor. Price 60 Cents.
 No. 74A. 6 Size. Key or Holder for Waltham Jeweled Main Wheel Arbor. Price 60 Cents.

Illustrated on opposite page



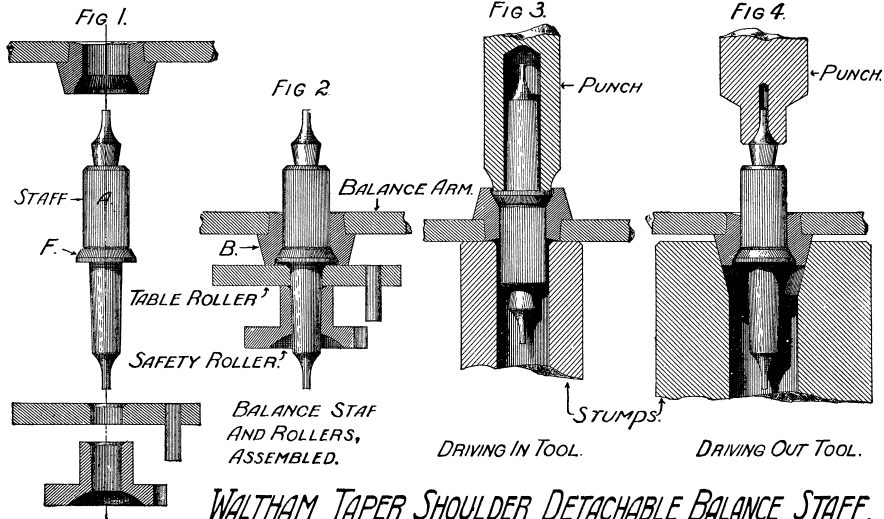
End View. No. 74.



- No. 36D. No. 36E.
 Pump Center Stumps. For Staking Tools.
 Price 35 Cents Each.



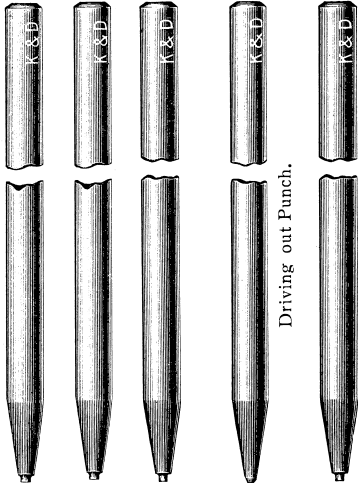
TRADE
MARK





TRADE
MARK

Punches and Stumps for Waltham Taper Shoulder.
Detachable Balance Staffs, as shown on opposite page.



Driving out Punch.

Punch for driving out lever staff of Jewel series size movement.
Size of hole .004.

0 Size. 12 Size. 16 Size.
Driving in Punches.



0 Size.



12 Size.



16 Size.

Driving in Stumps.



0 Size.



12 Size.



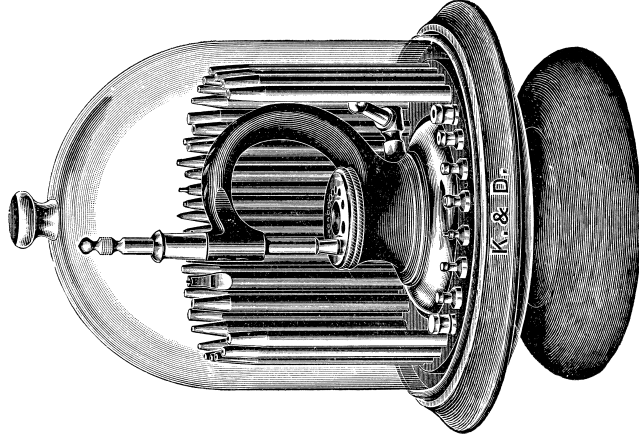
16 Size.

Driving out Stumps.

Punches and Stumps Illustrated on this page 25 Cents each.



TRADE
MARK



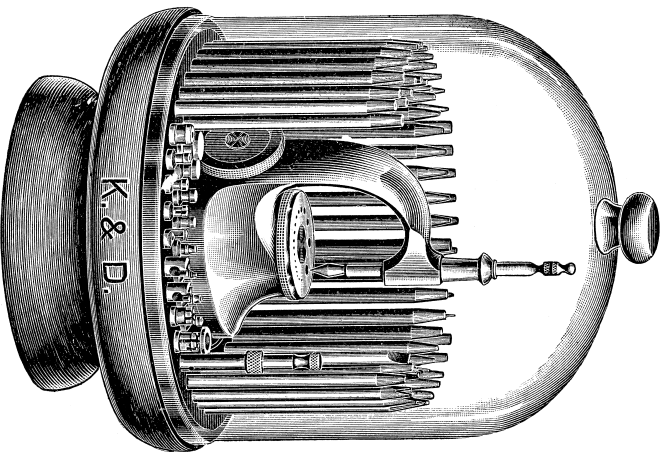
No. 5. Staking Tool.

Enamel and Nickel Frame. 32 Punches, 8 Stumps.

Price \$4.50.



TRADE
MARK



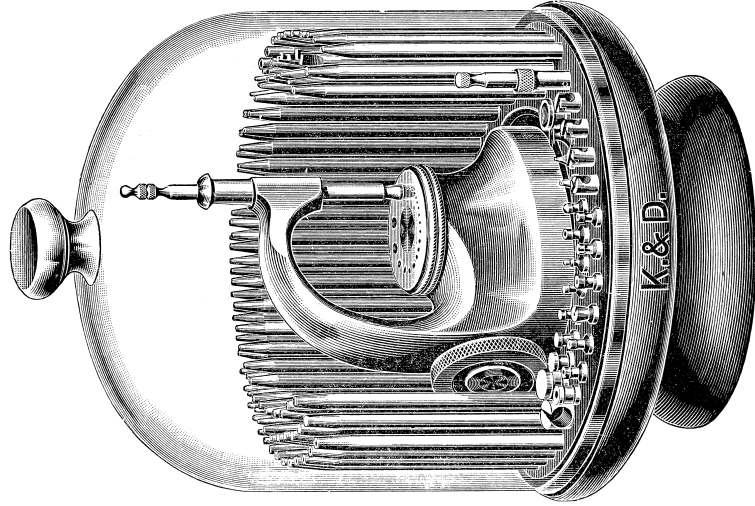
PAT. AUG. 26, 1902.

New Model Staking Tools.

- | | | |
|---------|------------------------|----------------|
| No. 13. | 76 Punches, 20 Stumps. | Price \$16.50. |
| No. 14. | 60 Punches, 18 Stumps. | Price \$14.00. |
| No. 15. | 50 Punches, 14 Stumps. | Price \$12.00. |



TRADE
MARK



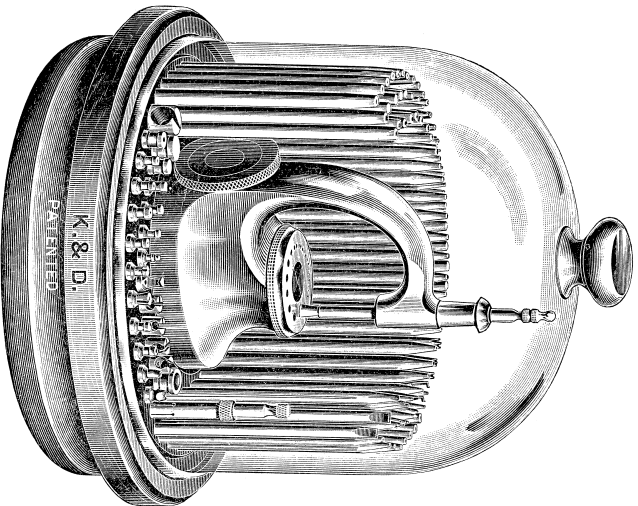
PAT. AUG. 26, 1902.

New Model Staking Tool.

No. 12. 100 Punches, 24 Stumps. Price \$20.00.



TRADE
MARK



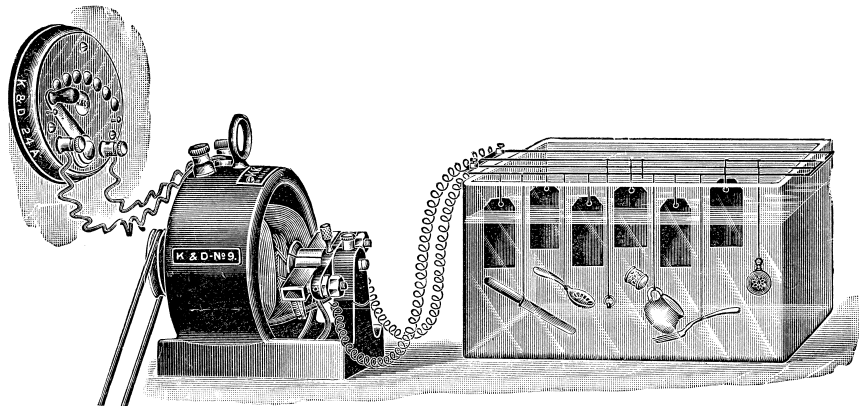
New Model Staking Tools.

Low Ball Bearing Stands for Roll Top Bench.

- | | | |
|----------|-------------------------|----------------|
| No. 12A. | 100 Punches, 24 Stumps. | Price \$21.00. |
| No. 13A. | 76 Punches, 20 Stumps. | Price \$17.50. |
| No. 14A. | 60 Punches, 18 Stumps. | Price \$15.00. |
| No. 15A. | 50 Punches, 14 Stumps. | Price \$13.00. |



TRADE
MARK



Jeweler's Plating Dynamo. No. 9. Price \$8.00.

Rheostat. No. 24A. Price \$1.00.

Descriptive circular of above outfit sent on application.